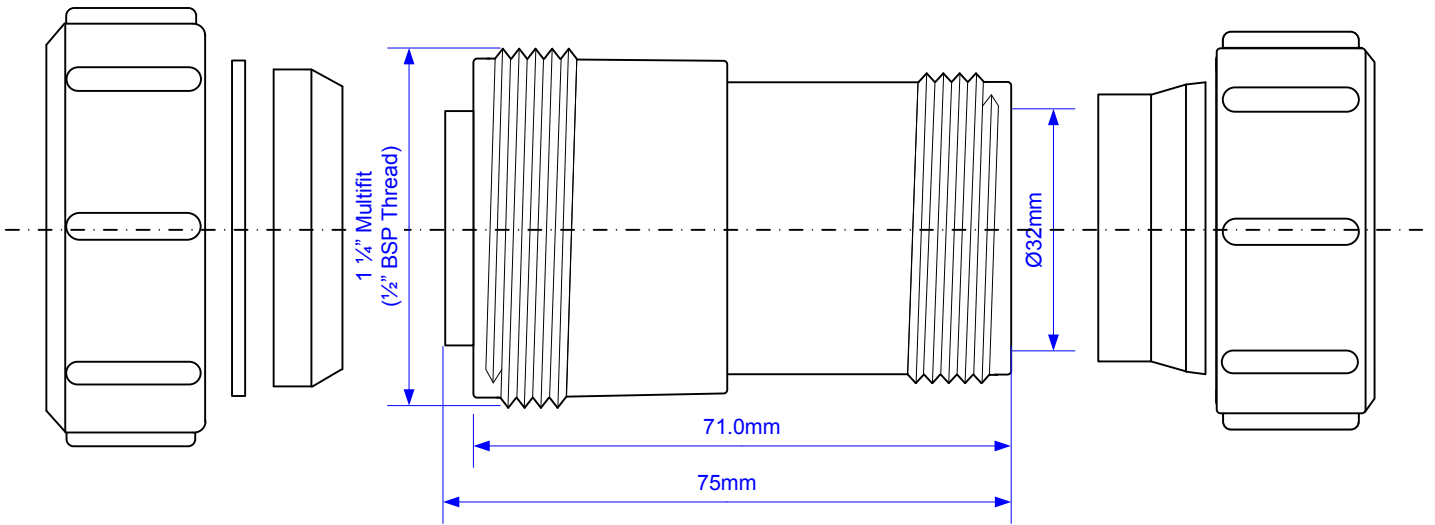


Code:

# S28L-ISO



© McALPINE  
10/05/2013

Drawing verified  
correct as of:

10/03/2015  
RM

DRAWN BY

RM

REVISED

14/06/2007, 22/06/2012

28/09/2012, 10/05/2013

10/03/2015

FILENAME

S28L-ISO.VSD

DATE

10/03/2015

SCALE

1: 1